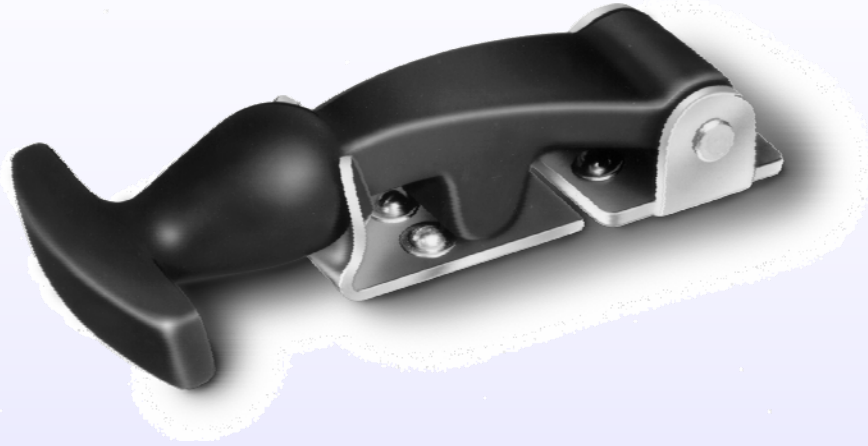


Ultimate Flexibility.

FlexTite™ by **ACTUS MANUFACTURING**



Premium Rubber Latches.

FlexTite™ rubber latches are highly versatile and are used in many demanding application with long-lasting dependably. They are made of high grade EPDM rubber and have superior UV resistance. FlexTite™ latches stretch-and-latch design make for easy and secure fastening in most environment or application. Three, four and five inch length versions are available, and talk to us about custom mounts!

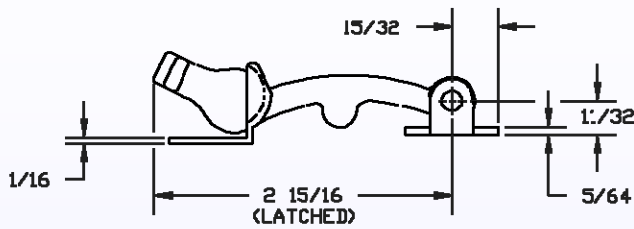
FEATURES

- Sound / Vibration dampening
- Wear and Ozone resistant
- UV resistant
- Weatherproof
- Flexible at temperature extremes
- Misalignment flexibility
- Easy to install
- Long lasting
- Multiple mounting options

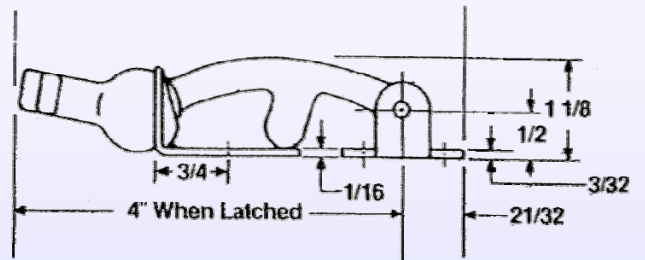
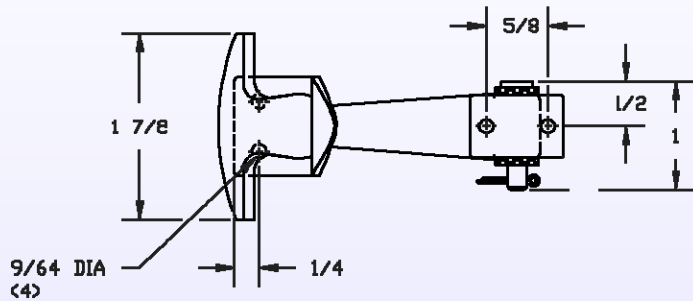
INDUSTRY APPLICATIONS

- Automotive
- Construction Equipment
- Off-highway
- Agriculture
- Aviation / Aerospace
- Military
- Industrial Machinery
- Recreational
- Mining

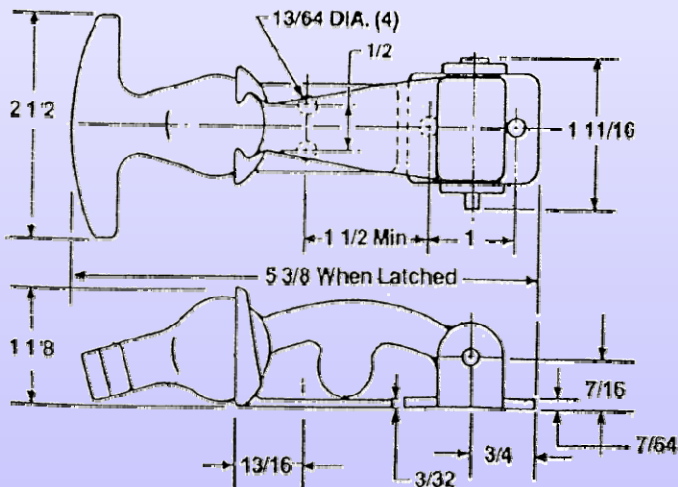
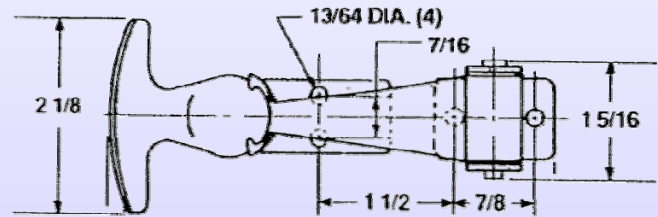
3" FlexTite™ Latch 089 Series



4" FlexTite™ Latch 079 Series



5" FlexTite™ Latch 069 Series



	Handle	Mounting hardware			Weight	
	Material	Finish				
	EPDM rubber, black	1010 Carbon Steel	Black zinc	Clear Zinc		Stainless Steel
3" FlexTite™ Latch	X	X	X	X	X	.075 lbs
4" FlexTite™ Latch	X	X		X	X	.165 lbs
5" FlexTite™ Latch	X	X		X		.265 lbs