

True Command.

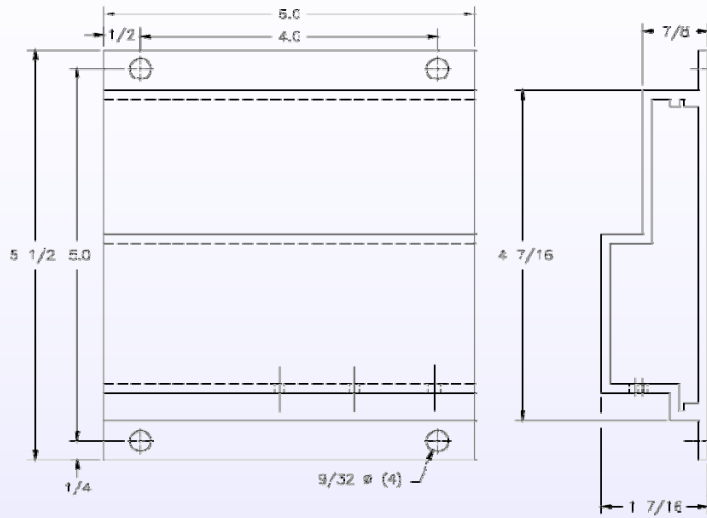
ELECTRIC REMOTE CONTROLS (ERC®) by **ACTUS MANUFACTURING**



771 Series Electronic Control Module

The 771 series Electronic Control Module (ECM) is designed to maximize the performance and productivity of ERC actuators. Actus ECM modules control not only the position of the actuator, they control Actus' patented built-in clutch. This unique feature allows for immediate disengagement of the clutch, allowing the output shaft to safely float freely or return to a pre-set position in case of emergency, power failure or system design. The ECM's compact yet rugged cast aluminum body requires no field maintenance thanks to its weather resistant construction.

771 Series Electronic Control Module.



Proportional ECM Technical Specifications	
Control Type:	Fully Proportional
Operating voltage:	12VDC nominal
Motor output:	12VDC. 5A (current limited)
Clutch output	12VDC, 1A maximum
Operating Temp Range:	-40°F (-40°C) to 158°F (70°C)
Actuator harness:	6' long, 7-wire, 20ga shielded cable; optional connector
Command harness:	3' long, 3-wire, 20ga shielded cable
Power harness:	3' long, 2-wire, 18ga
Weight:	2.3-lbs
Adjustment features:	<ul style="list-style-type: none"> Extend Stroke position Retract Stroke position Dead band (sensitivity)
Construction:	Extruded aluminum housing, potted electronics

FEATURES

- Rugged cast aluminum body
- Dustproof and water resistant
- Closed loop circuit design
- Limited or infinite position settings are possible providing operator with maximum control capability
- No field maintenance required

Positional ECM Technical Specifications	
Control Type:	Five position
Operating voltage:	12VDC nominal
Motor output:	12VDC. 5A (current limited)
Clutch output	12VDC, 1A maximum
Operating Temp Range:	-40°F (-40°C) to 158°F (70°C)
Actuator harness:	6' long, 7-wire, 20ga shielded cable; optional connector
Power or command harness:	3' long, 3-wire, 20ga shielded cable
Weight:	1.3-lbs
Adjustment features:	<ul style="list-style-type: none"> Position 1 (trim pot) Position 2 (trim pot) Position 3 (trim pot) Position 4 (trim pot)
Construction:	Extruded aluminum housing, potted electronics

